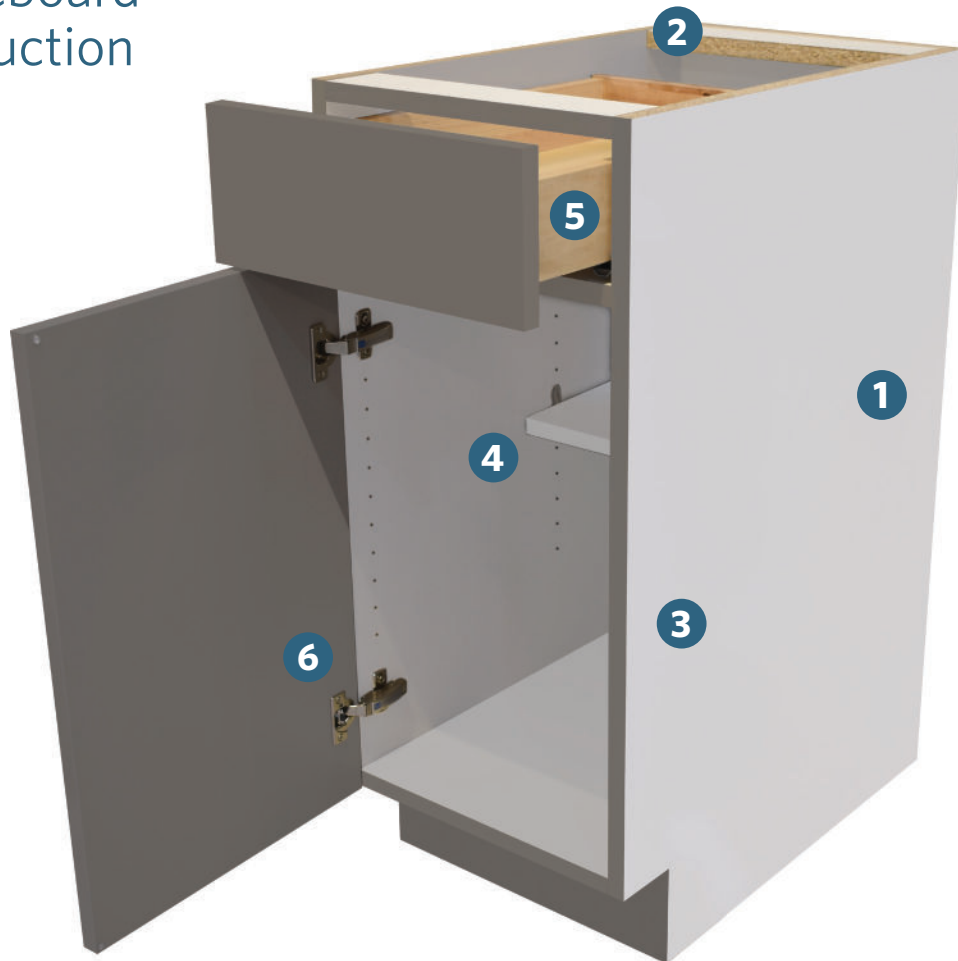


CITYLINE

Particleboard Construction



- 1 Standard construction consists of environmentally-friendly 3/4" furniture board as well as options in plywood. All sides, tops, bottoms, stretchers and shelving are 3/4" thick with 1/2" back panel.
- 2 Cabinets are doweled and glued before being assembled using an automated case clamp to ensure a rigid cabinet that is true and square.
- 3 Front edges are taped with coordinating PVC edgebanding.
- 4 Shelving is full depth on wall cabinets and half depth on standard base cabinets. All shelves 3/4" thick.
- 5 Standard drawer box consists of a 5/8" solid wood dovetail drawer and 1/4" captured bottom with Blum Edge soft-close undermount slide.
- 6 Doors have soft-close hinges. Blum 3-way cam-adjustable quick release hinges. Blum comes with a lifetime warranty for drawer glides and hinges.

Metropolitan
MANUFACTURERS OF CABINETS & COUNTERTOPS

metcabinet.com | 800.698.8999