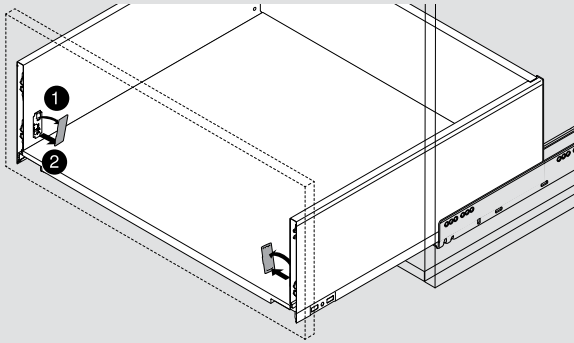


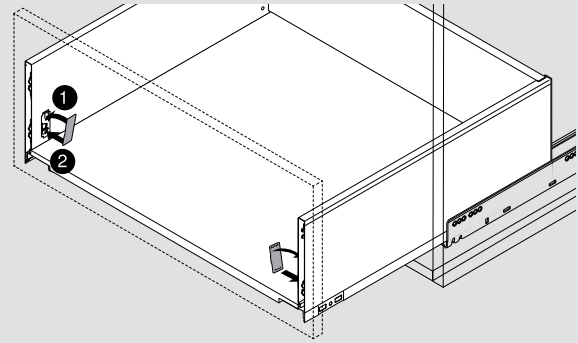
LEGRABOX adjustments

Cover cap removal/installation

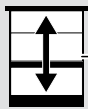
Removal



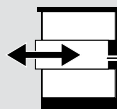
Installation



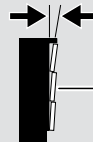
Height, side and tilt adjustments



1 **Height adjustment**
± 2 (3/32")



2 **Side adjustment**
± 1.5 (1/16")

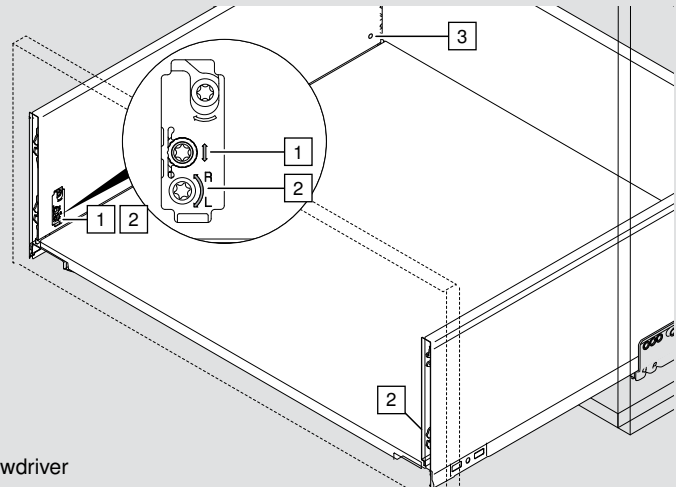


3 **Tilt adjustment**
M height +1.5/-0.5 (1/16"/1/32")
C/F height ±1.5 (1/16")

Height adjustment – Turn the adjustment screw clockwise to raise or lower the drawer front.

Side adjustment – Turn adjustment screw towards the **L** to Move drawer front left. Turn adjustment screw towards the **R** to move drawer front right.

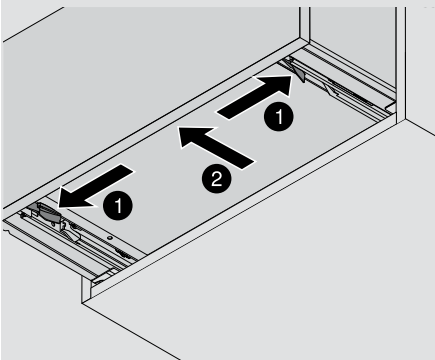
Tilt adjustment – To increase the drawer front gap, turn the adjustment screw clockwise, to decrease turn adjustment screw counterclockwise.



NOTE: Height, side and tilt adjustments must be achieved with a T20 Torx screwdriver

Drawer removal

Pull drawer forward to reveal locking devices. Squeeze triggers on locking device and lift drawer box off of runners.



Drawer front removal

Turn adjustment screw to release front fixing bracket. Lift drawer front away from drawer box.

