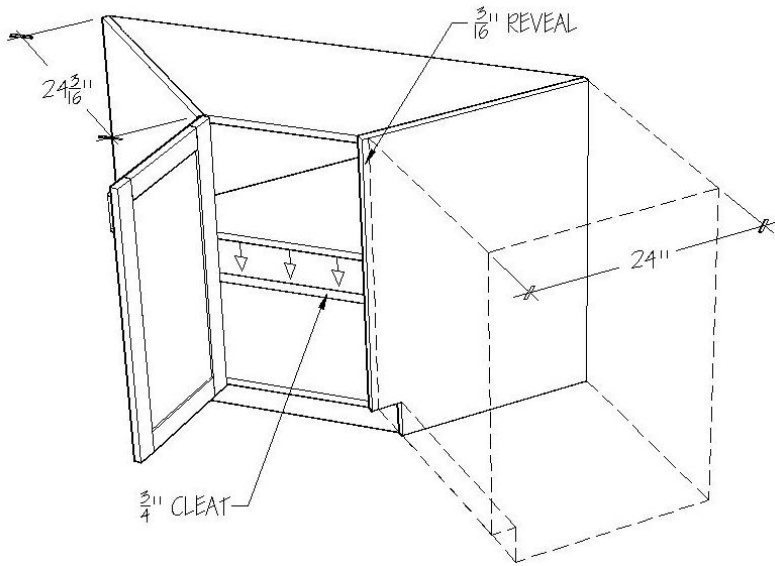


Corner Sink Base Cabinet Installation Notes



- 1 – Installation of the cabinet should expose $\frac{3}{16}$ " of the Diagonal Corner Sink Base cabinet as shown for proper door function. There should be No cabinets pulled off walls!
- 2 – The floor is shipped in two pieces for ease of installation. A cleat is attached to the cabinet floor, which allows the loose triangular floor to fit flush.
- 3 – Installation of the loose cabinet floor requires the wall to be cleated at $4\text{-}1/2$ " from the ground to support the back of the floor. Cleating is also required at $34\frac{1}{2}$ " for countertop installation behind cabinet, cleating stock to be supplied and installed by General Contractor.