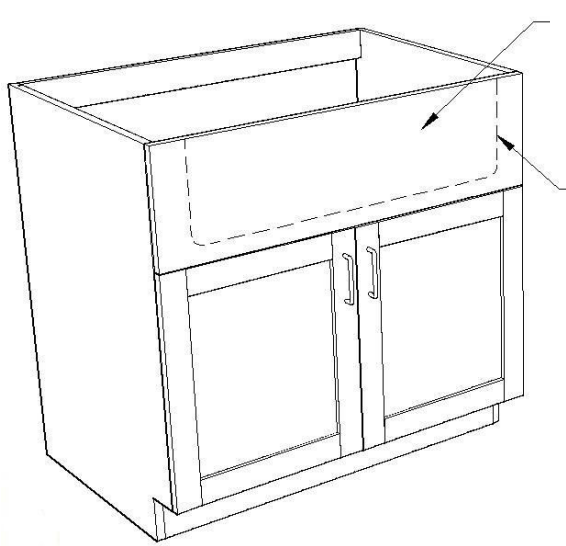


Farm Sink Base Installation Notes



Apron is shipped attached with clips and is removable.

Contractor is to scribe sink to supplied apron in field

1. Each cabinet is designed to fit a specified sink by placing the fixed shelf at the correct height for the sink. The apron has been designed to maintain correct spacing after installation.
2. Installation requires scribing the sink to the supplied removable apron, flush with the fixed shelf.
3. The fixed shelf will need to be cut in field as needed to fit plumbing fixtures.