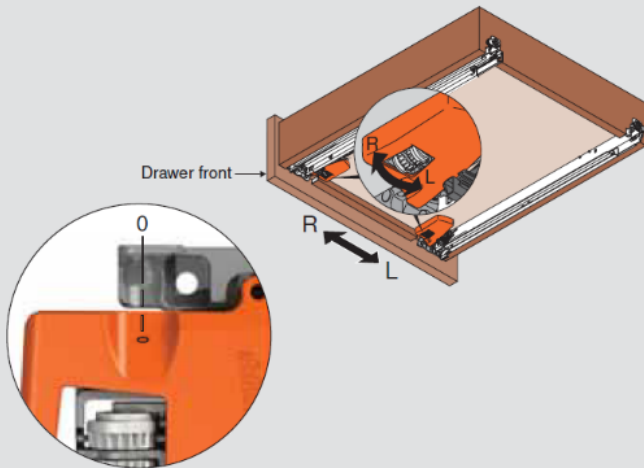


Front side-to-side adjustment

- 1 Rotate side-to-side adjustment left or right equally on both locking devices. Drawer front moves in the same direction as rotation.

T51.1901.xx with side-to-side adjustment

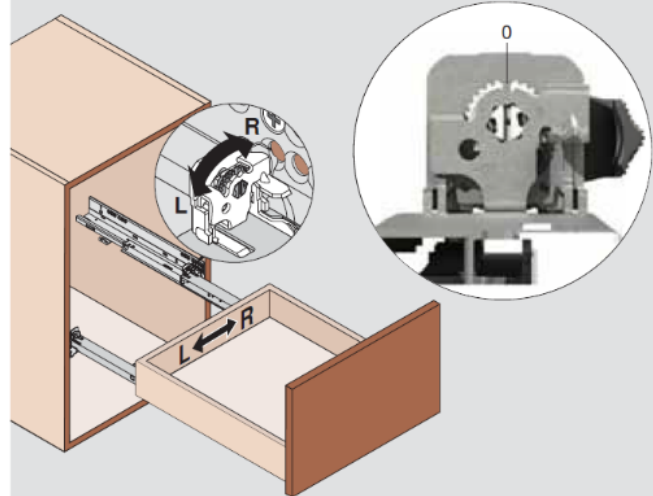


Maximum 1.5 (1/16") to left or right (tool-free)

NOTE: Not available on T51.x8xx locking devices

Rear side-to-side adjustment

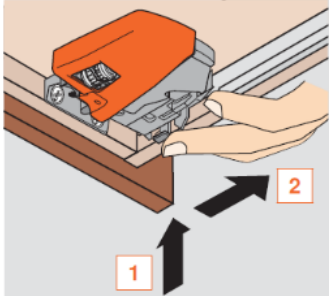
- 2 After front side-to-side adjustment is made with the locking devices, rotate the rear side-to-side adjustment left or right to re-align the back of the drawer box with the front. Drawer back moves in the same direction as rotation.



Maximum 1.5 (1/16") to left or right (tool-free)

NOTE: The left rear hook is a different design and allows for drawer width tolerances

Height adjustment



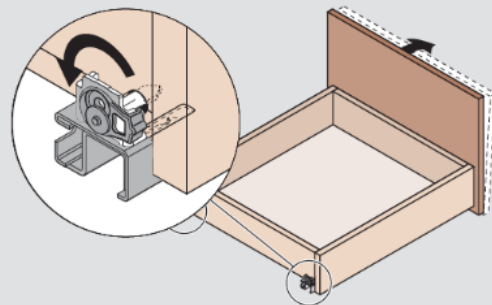
- 1 Press up on adjustment tab
- 2 Push toward back of drawer

Maximum 3 (1/8") rise of drawer front (tool-free)

NOTE: Height adjustment available on all TANDEM locking devices

Tilt adjustment

Rotate the tilt adjustment lever on the rear of each runner to tilt the top of the drawer front forward



Maximum 5 (3/16") rise of drawer back (tool-free)