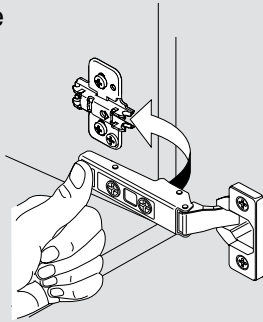


Euro hinge attachment and adjustment

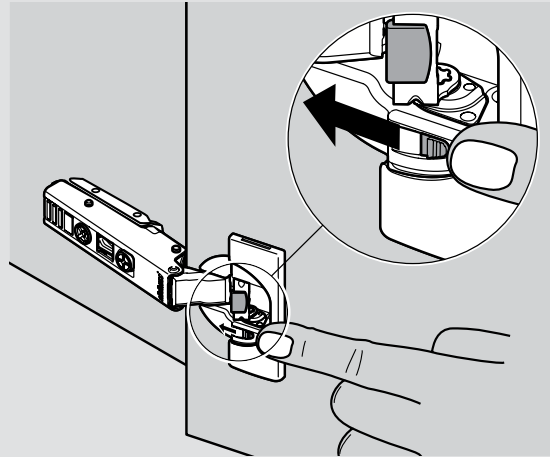
Door installation

To install, place the hinge on the mounting plate and push the back of the hinge arm down with finger pressure. The “click” sound confirms a secure attachment.



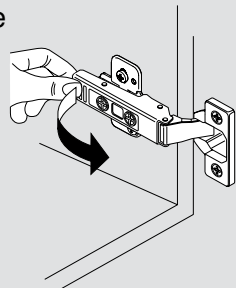
CLIP top BLUMOTION deactivation

For small or light doors, the BLUMOTION can be deactivated on one of the hinges. Door must be closed once for the deactivation to be complete. To reactivate, move switch back to the original position.

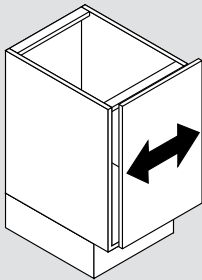


Door removal

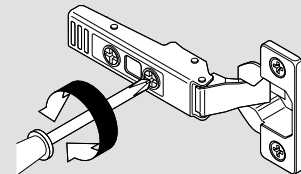
Release the lever under the hinge arm to remove.



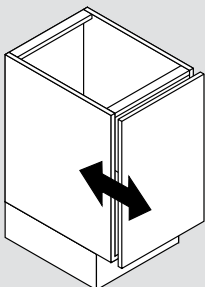
Side adjustment



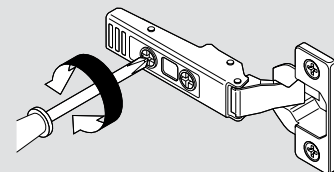
Rotate the front screw to increase or decrease the door overlay (+/- 2 mm).



Depth adjustment



Rotate the rear spiral tech cam screw to adjust the door position (+ 3/- 2 mm).

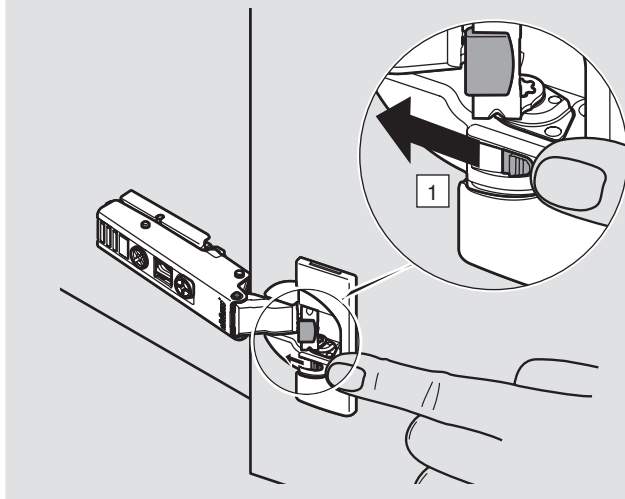


For CLIP hinges, loosen the rear screws on all hinges, adjust and retighten.

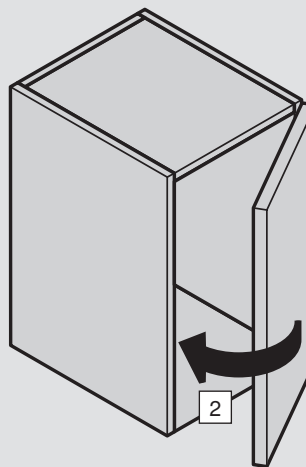
BLUMOTION deactivation

Switch on hinge cup

For small or light doors, the BLUMOTION can be deactivated on one of the hinges.



Door must be closed once for the deactivation to be complete. To reactivate, move switch back to original position.



Blum, Inc.
800-438-6788
www.blum.com

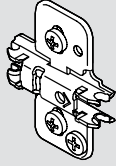
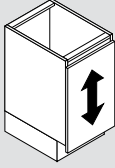
Subject to technical modifications without notice. © 2010
LIT.HNG5100.08.10

 **blum**[®]

CLIP mounting plate adjustments

Height adjustment

Cam wing mounting plate



Rotate cam screw on the mounting plate to adjust door position (+/- 2 mm).

