

Heavy duty full extension concealed runners

Basic components



Locking devices

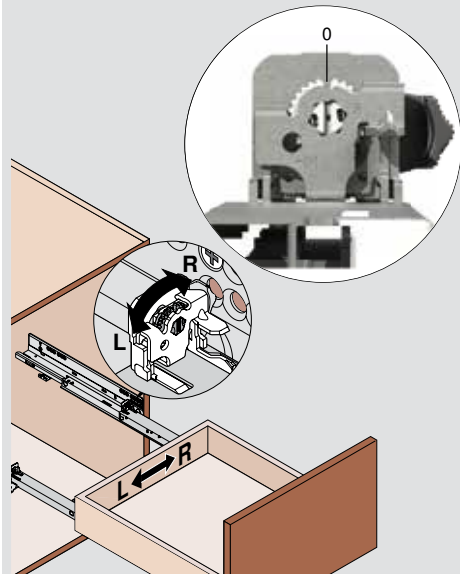


Runners



Rear side-to-side adjustment

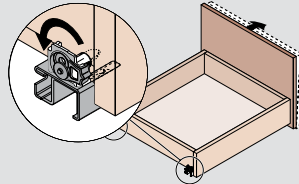
After front side-to-side adjustment is made with the locking devices, rotate the rear side-to-side adjustment left or right to re-align the back of the drawer box with the front. Drawer back moves in the same direction as rotation.



**NOTE:** Maximum 1.5 (1/16") to left or right in both front and rear (tool-free)

Tilt adjustment

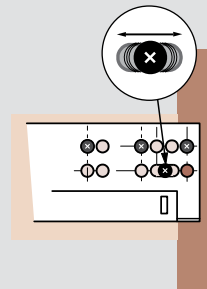
Rotate the tilt adjustment lever on the rear of each runner to lift the back of the drawer and tilt the top of the drawer front forward



Maximum 5 (3/16") rise of drawer back (tool-free)

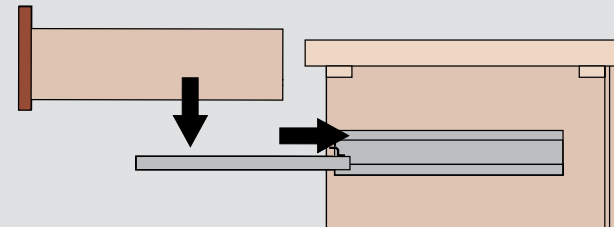
Depth adjustment on runner

TANDEM 569 runners feature elongated holes that allow ±4.5 (3/16") depth adjustment



Drawer insertion

Extend the concealed runners fully. Place the drawer on the runners and close. The locking devices automatically engage with the runners. Make adjustments if necessary.



Drawer removal

- 1 Squeeze orange handles on locking devices
- 2 Pull drawer straight out and up

