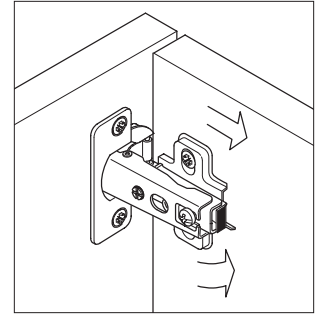
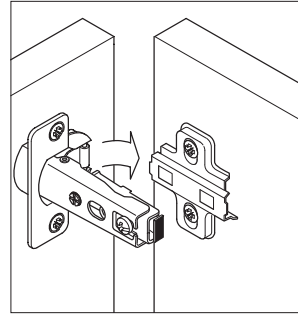
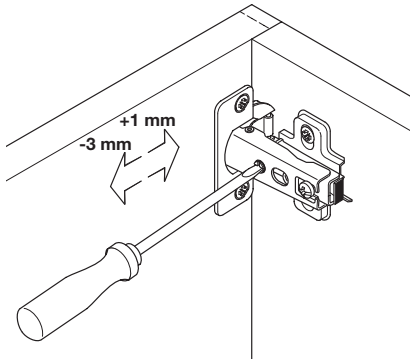


Clip-on Hinge

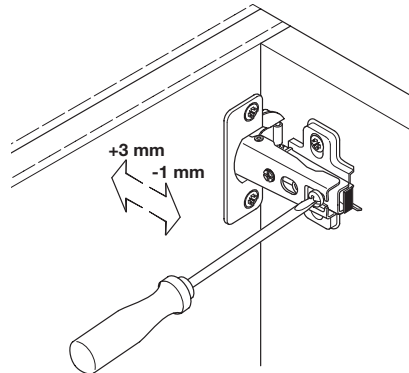
- All-metal
- Durable pivot bearing
- Cup designed for automated insertion
- Self-closing or soft-closing with oil damper in arm
- Three-way adjustable



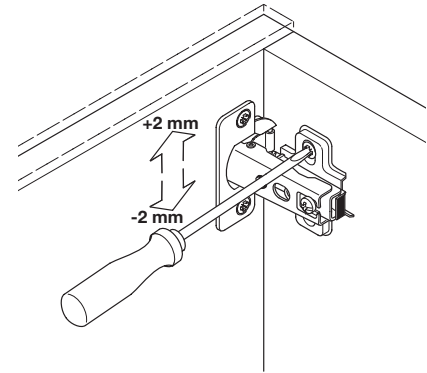
Adjustments



Horizontal
 by screw adjustment (5 mm of adjustment).



In-and-Out
 by loosening the hinge-arm mounting screw (110°) or via cam adjustment (165°)
 (4 mm of adjustment).



Vertical
 via slots in the mounting plate or via cam adjustment (+/-2 mm of adjustment).

Dimensional data not binding. We reserve the right to alter specifications without notice.